

Ramp Dozer Snowplow

The incredible strength and versatility of the **VIKING** Ramp Dozer Plow make it the Industry's most asked for plow for airport and municipal use.

This plow features a variety of moldboard lengths from 14' to 30' reinforced by high strength ribs, and specially designed structural tubing and end plates. The ribs and plates are single cut 1/2" steel adding to the ramp dozer's strength and durability.

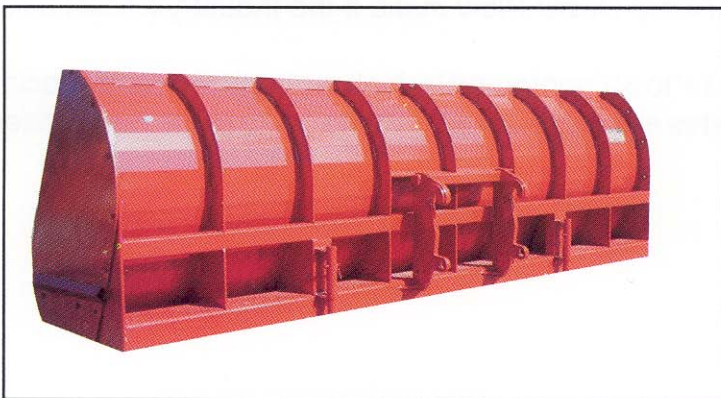


The Viking Ramp Dozer is designed to push snow and slush away from transportation areas, ramp areas, gates, structures and parking areas. Its size and easy maneuverability give it the versatility to easily and quickly clean hard to get areas.

The Viking Ramp Dozer Plow may be used with either rubber or steel cutting edges. It is designed to be used on 3 to 5 yard bucket loaders by either using a quick coupler system to the loader boom or by connecting it to the front and end plates of the bucket.



INCREDIBLE STRENGTH



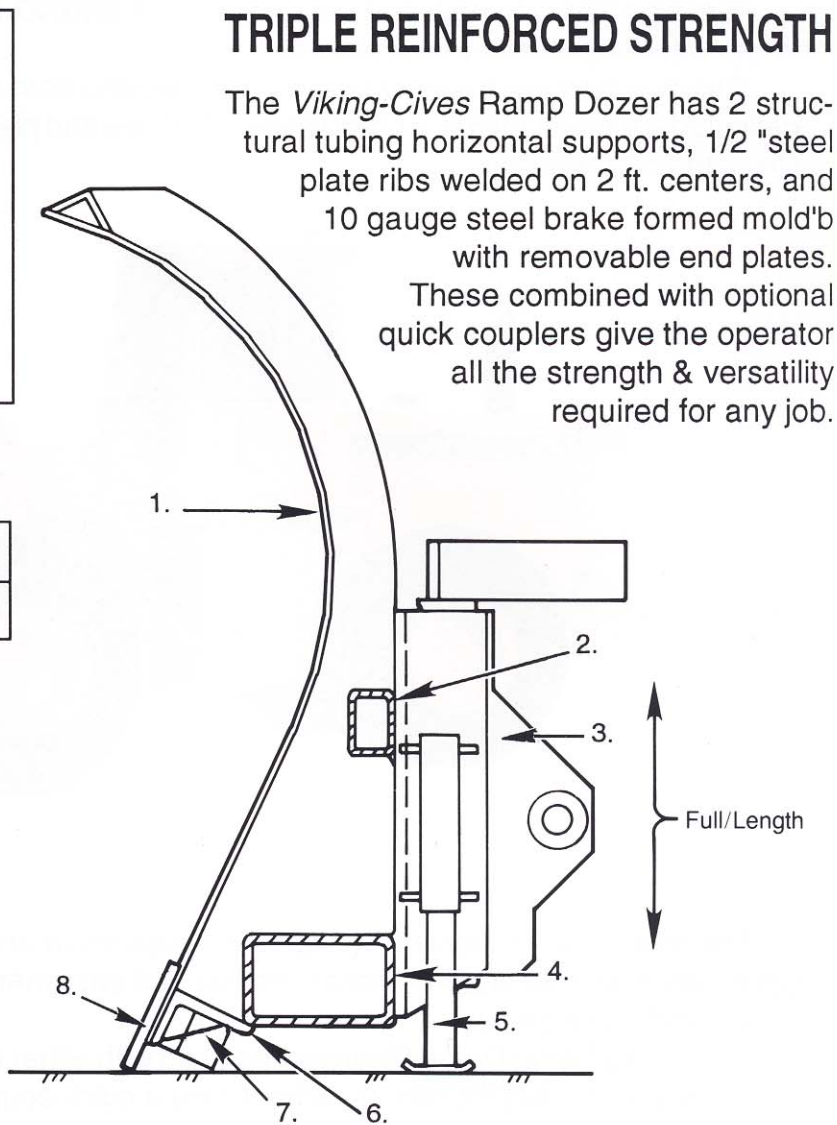
RIBS AND SPECIALLY DESIGNED BACK PLATE

AVAILABLE MOLDBOARD LENGTHS

| Lengths | 14' | 16' | 20' | 22' | 30' |
|---------|-----------|-----------|-----------|-----------|-----------|
| Weights | 4266 lbs. | 4500 lbs. | 5251 lbs. | 5628 lbs. | 7131 lbs. |

*Note: Weights do not include quick couplers
All moldboards are 58" high*

1. Moldboard Weldment
2. 4"x3"x3/4" Wall Rect. Tube
3. Quick Coupler (Plow Half)
4. 10"x6"x3/8" Wall Rect. Tube
5. Parking Stand
6. 6"x4"x3/4" Gusseted Blade Angle
7. Moldboard Shoe (4 Standard)
8. Blade - 1/2"X8"X10'
(2 pieces standard)



TRIPLE REINFORCED STRENGTH

The *Viking-Cives* Ramp Dozer has 2 structural tubing horizontal supports, 1/2" steel plate ribs welded on 2 ft. centers, and 10 gauge steel brake formed mold'b with removable end plates. These combined with optional quick couplers give the operator all the strength & versatility required for any job.

*Note: Specifications are subject to change without notice.
Use only VIKING authorized replacement parts and accessories
to assure optimum performance and reliability.

Dealer:

Viking-Cives, (USA)
RR#2, Box 36-1/2
Harrisville, NY 13648
(315) 543-2321
Fax (315) 543-2366

Viking-Cives, Ltd.
P.O. Box 1120, RR#4
Mt. Forest, ONT N0G2L0
(519) 323-4433
Fax (519) 323-4608

Viking-Cives, (USA)
137 Brown Street
Evansdale, IA 50707
(319) 236-7977
Fax (319) 236-7980

